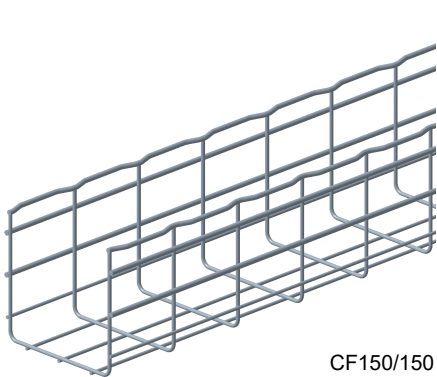
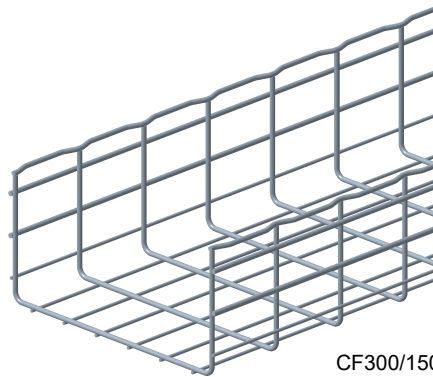


CF 150

Reference(s) : 000 951/953/954/956/958/961/963/964/966/968
000 971/973/974/976/978/981/983/984/986/988
001 011/013/014/016/018/021/023/026/041/043/046
100 985/983



CF150/150



CF300/150

SOMMAIRE / SUMMARY	PAGES
1. Usage / Use	1
2. Gamme / Range	1
3. Dimensions	1-2
4. Fixation / Fixing	2
5. Données techniques / technical data	3
6. Conformités / Conformities	3
7. Contenance / Capacity	3
8. Courbe de charge / Loading curves	4

1. USAGE / USE

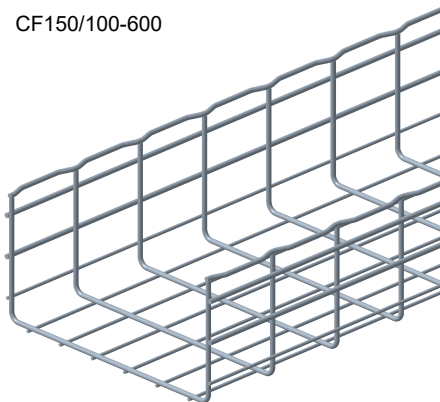
Chemin de câbles en fils d'acier soudés / Steel wire cable tray.

2. GAMME / RANGE

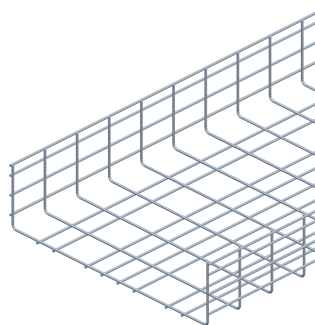
Designation	L int		EZ		GC / HDG		HR		IN304L / SS304L		IN316L / SS316L	
	(mm)	(inch)	CODE	Poids / Weight (Kg) (lb)	CODE	Poids / Weight (Kg) (lb)	CODE	Poids / Weight (Kg) (lb)	CODE	Poids / Weight (Kg) (lb)	CODE	Poids / Weight (Kg) (lb)
CF 150/150	150	5.91	000 981	7.139 15.740	000 983	7.417 16.351	000 986	6.93 15.281	000 988	6.576 14.497	000 984	6.576 14.497
CF 150/200	200	7.87	000 951	9.131 20.130	000 953	9.485 20.912	000 956	8.90 19.544	000 958	7.053 15.549	000 954	7.053 15.549
CF 150/300	300	11.81	000 961	10.396 22.918	000 963	10.799 23.808	000 966	10.13 22.251	000 968	9.280 20.458	000 964	9.280 20.458
CF1 50/400	400	15.75	000 971	11.660 25.707	000 973	12.113 26.705	000 976	11.36 24.958	000 978	10.448 23.034	000 974	10.448 23.034
CF 150/450	450	17.72	001 011	12.293 27.101	001 013	12.770 28.153	001 016	11.93 26.312	001 018	11.032 24.321	001 014	11.032 24.321
CF 150/500	500	16.69	001 021	12.925 28.495	001 023	13.427 29.602	001 026	12.59 27.665	-	-	-	-
CF 150/600	600	23.62	001 041	14.2 31.3	001 043	14.74 32.498	001 046	13.77 30.372	-	-	-	-
CF 150/600 EA BD*	600	23.62	100 985	16.8 37.04	-	-	-	-	-	-	-	-
CF 150/900 EA BD*	900	35.43	100 983	21.5 47.4	-	-	-	-	-	-	-	-

3. DIMENSIONS (mm/inch)

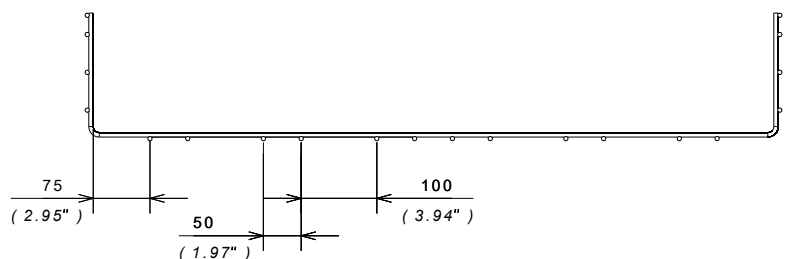
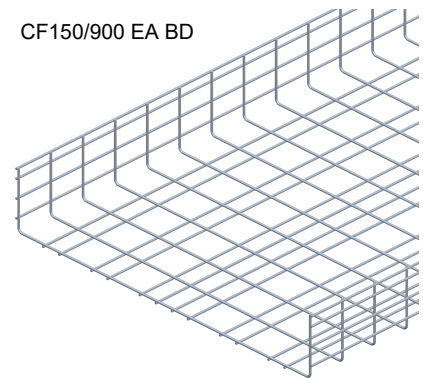
CF150/100-600



CF150/600 EA BD

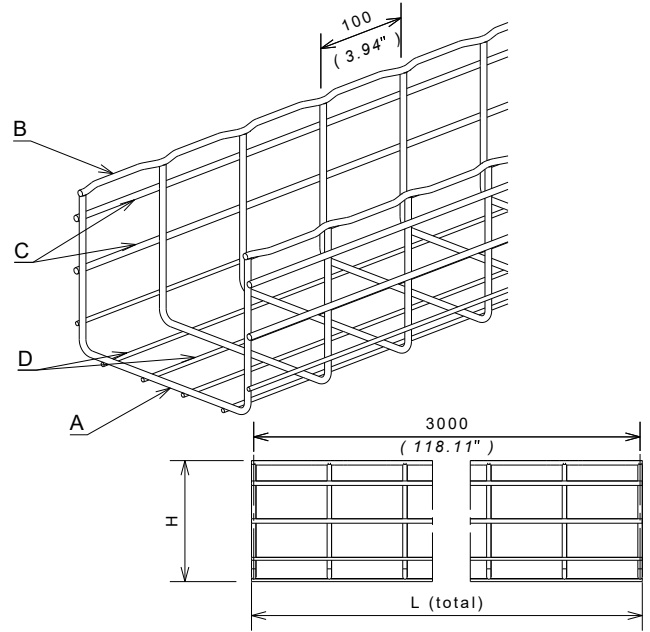
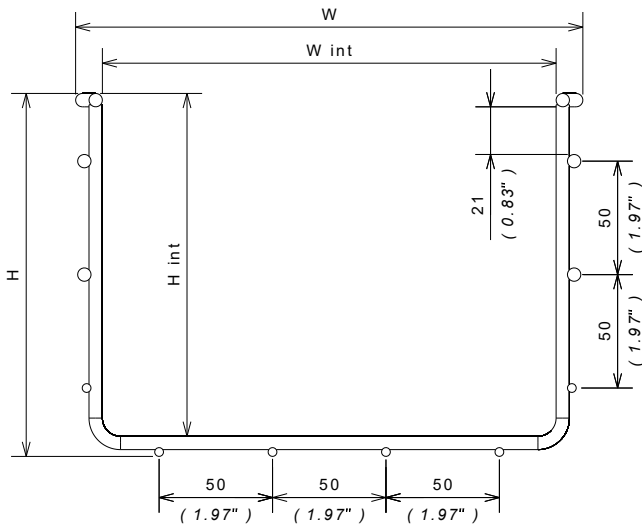


CF150/900 EA BD



* EA : Mailles élargies / easy access - BD : Bord droit / straight edge

3. DIMENSIONS (mm/inch) (suite / cont.)



■ 3.1 Finition / Material finish : EZ - GC / HDG - HR

Designation	Capacité / Capacity (mm ²)	A (Ø)		B (Ø)		C (Ø)		D (Ø)		W int		W		H int		H		L 0/+7mm	
		(mm)	(inch)	(mm)	(inch)	(mm)	(inch)	(mm)	(inch)	(mm)	(inch)	(mm)	(inch)	(mm)	(inch)	(mm)	(inch)	(mm)	(inch)
CF150/150	23 298	4.4	0.17	5.9	0.23	5.9	0.23	3.9	0.15	150	5.91	172.1	6.78	155.5	6.122	162.8	6.409	3004.4	118.28
CF150/200	31 073	5.9	0.23	5.9	0.23	5.9	0.23	3.9	0.15	200	7.87	223.6	8.80	155.5	6.122	162.8	6.409	3005.9	118.33
CF150/300	46 353	5.9	0.23	5.9	0.23	5.9	0.23	3.9	0.15	300	11.81	323.6	12.74	154.6	6.087	163.4	6.433	3005.9	118.33
CF150/400	61 813	5.9	0.23	5.9	0.23	5.9	0.23	3.9	0.15	400	15.75	423.6	16.68	154.6	6.087	163.4	6.433	3005.9	118.33
CF150/450	69 543	5.9	0.23	5.9	0.23	5.9	0.23	3.9	0.15	450	17.72	473.6	18.65	154.6	6.087	163.4	6.433	3005.9	118.33
CF150/500	77 273	5.9	0.23	5.9	0.23	5.9	0.23	3.9	0.15	500	19.69	523.6	20.61	154.6	6.087	163.4	6.433	3005.9	118.33
CF150/600	92 733	5.9	0.23	5.9	0.23	5.9	0.23	3.9	0.15	600	23.62	623.6	24.55	154.6	6.087	163.4	6.433	3005.9	118.33
CF150/600 EA BD *	92 733	5.9	0.23	5.9	0.23	5.9	0.23	5.9	0.23	600	23.62	623.6	24.55	154.6	6.087	163.4	6.433	3005.9	118.33
CF150/900 EA BD *	139 113	5.9	0.23	5.9	0.23	5.9	0.23	5.9	0.23	900	35.43	923.6	36.36	154.6	6.087	163.4	6.433	3005.9	118.33

■ 3.2 Finition / Material finish : IN316L - IN304L / SS316L - SS304L

Designation	Capacité / Capacity (mm ²)	A (Ø)		B (Ø)		C (Ø)		D (Ø)		W int		W		H int		H		L 0/+7mm	
		(mm)	(inch)	(mm)	(inch)	(mm)	(inch)	(mm)	(inch)	(mm)	(inch)	(mm)	(inch)	(mm)	(inch)	(mm)	(inch)	(mm)	(inch)
CF150/150	23 133	4.4	0.17	5.5	0.22	5.5	0.22	3.9	0.15	150	5.91	172.1	6.78	154.4	6.079	161.7	6.366	3004.4	118.33
CF150/200	30 953	4.4	0.17	5.5	0.22	5.5	0.22	3.9	0.15	200	7.87	220.9	8.70	154.9	6.098	162.2	6.386	3004.4	118.33
CF150/300	46 233	5.5	0.22	5.5	0.22	5.5	0.22	3.9	0.15	300	11.81	322.0	12.68	154.2	6.071	162.6	6.402	3005.5	118.33
CF150/400	61 653	5.5	0.22	5.5	0.22	5.5	0.22	3.9	0.15	400	15.75	422.0	16.61	154.2	6.071	162.6	6.402	3005.5	118.33
CF150/450	69 363	5.5	0.22	5.5	0.22	5.5	0.22	3.9	0.15	450	17.71	472.0	18.58	154.2	6.071	162.6	6.402	3005.5	118.33

4. FIXATION (non incluse) / FIXING (not included)

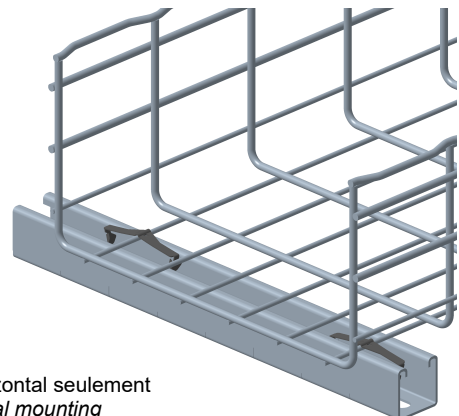
■ 4.1 VIS / SCREW

- 1 point de fixation minimum jusqu'à la largeur 200 mm incluse / 1 minimum fixing point until width 200 mm included
- 2 points de fixation minimum à partir de la largeur 300 / 2 minimum fixing points from width 300 mm

■ 4.2 FS41

Clip pour fixation sur rails LEGRAND 41x41 et 41x21
 Clip for holding on LEGRAND 41x41 or 41x21 rails

	mm	150 → 300	400 → 600	900
		x2 mini	x3 mini	x4 mini



Montage horizontal seulement
 Only horizontal mounting

5. DONNEES TECHNIQUES / TECHNICAL DATA**■ 5.1 Caractéristiques matières / Material characteristics**

Finition / Coating	Classe de résistance contre la corrosion / Resistance class against corrosion	Matière / Material	Norme matière / material Standard
EZ	Classe 3 - CEI 61537 / Class 3 - IEC 61537	C9D	EN ISO 16120-2
GC / HDG	Classe 6 - CEI 61537 / Class 6 - IEC 61537	C9D	EN ISO 16120-2
HR (ZnAl)	Classe 8 - CEI 61537 / Class 8 - IEC 61537	C9D	EN ISO 16120-2
IN304L / SS304L	Classe 9C - CEI 61537 / Class 9C - IEC 61537	X2 Cr Ni 18-9	EN 10 088-3
IN316L / SS316L	Classe 9D - CEI 61537 / Class 9D - IEC 61537	X2 Cr Ni Mo 17-12-2	EN 10 088-3

■ 5.2 Caractéristiques climatiques / climatic characteristics

Température de stockage et d'utilisation / storage and operating temperature : - 20° C à + 120° C

6. CONFORMITES / CONFORMITIES**Continuité électrique / Electrical continuity**

- Suivant CEI61537 / following IEC 61537

Conforme à CEI 61537 Systèmes de chemin de câbles
Comply with IEC 61537 Cable tray systems

- Chemin de cable / cable tray : < 5 mΩ/m

- Eclissage / joint : < 50 mΩ

7. CONTENANCE / CAPACITYContenance en DaN/m = Poids indicatif des câbles lors d'un remplissage à 100% du Chemin de câbles
Capacity in DaN / m = Indicative weight of the cables when the cable tray is 100% filled

	CONTENANCE maximum / Maximum CAPACITY (DaN/m)	
	d=0.15 (VDI / DATA)	d=0.25 (Puissance / Power)
CF150/150	34	56
CF150/200	45	75
CF150/300	68	113
CF150/400	90	151
CF150/450	101	169
CF150/500	113	188
CF150/600	135	226
CF150/900 EA BD	203	339

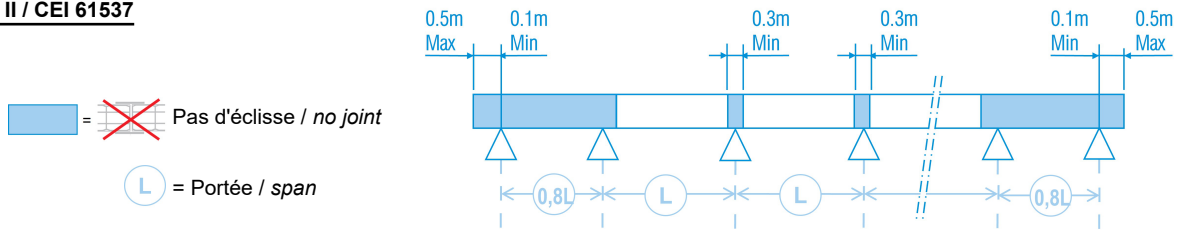
d = densité des câbles / cable density (kg/m/cm²)

1 kgf = 0.98 daN ≈ 1daN

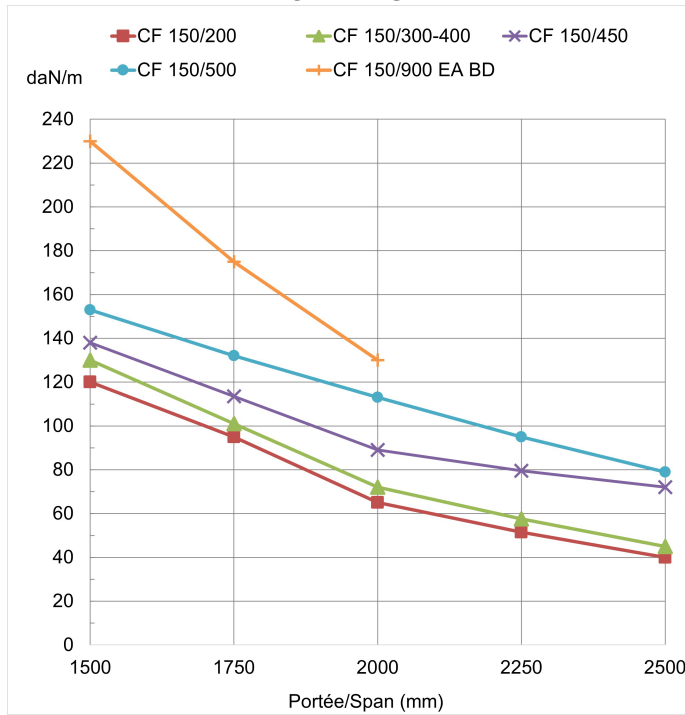
8. COURBE DE CHARGE / LOADING CURVES

8.1 Essais sous CPS (Charge Pratique de Sécurité) / Test for SWL (Safe Working Load) :

Type II / CEI 61537



EZ - GC / HDG - HR



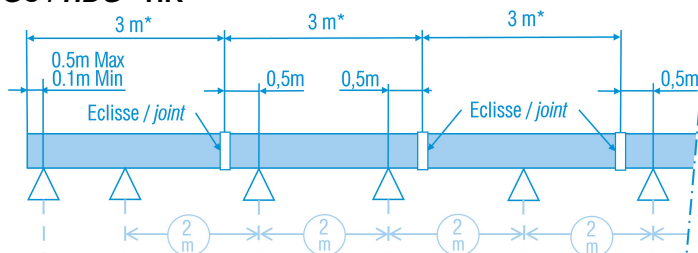
Porté maximum en mm lors d'un remplissage à 100% du Chemin de câbles / Maximum span in mm when the cable tray is 100% filled

	Porté maximum / maximum span (mm)	
	d=0.15 (VDI / DATA)	d=0.25 (Puissance / Power)
CF 150/200	2400	1850
CF 150/300	2050	1600
CF 150/400	1800	1600
CF 150/450	1850	1175
CF 150/500	2000	1250
CF 150/600	1950	1400
CF 150/900 EA BD	1600	-

8.2 Essais sous CPS (Charge Pratique de Sécurité) / Test for SWL (Safe Working Load) :

Selon préconisation de montage optimum / according to optimum mounting recommendations

EZ - GC / HDG - HR



EZ-GC/HDG -HR Portée / Span 2000mm	
	CPS / SWL (daN/m)
CF150/200	45.2
CF150/300-400	71
CF150/450-500	76.9

* Pour les installations de grandes longueurs, adapter la portée à la longueur exacte du chemin de câbles et de l'éclissage.
 * For long length installations, adapt the span to the exact length of the cable tray and joint.